

A50 - Non-magnetic

AIR CYLINDER

Series A50

Cat No A50 - 01 - 01 - A

LOW FRICTION CYLINDERS Double Acting (Ø25mm)

As per ISO 6432 / CETOP RP52P standards

Features

- The special seal reduce the wear
- Lower Response Pressure
- Low friction
- Long life
- Wide varieties of mountings



Technical Specifications

Cylinder bore Ø (mm)	25
Standard strokes * (mm)	10 25 40 50 80 100 125 160 200 250 300
Medium	Compressed air - filtered - lubricated
Working pressure	0.3 to 10 bar
Ambient temperature	-10° to +60° C
Medium temperature	+5° to +50° C
Materials of construction	Aluminium, Brass, Steel, Viton, Nylon
Mountings	Front foot mounting, Double foot mounting, Front flange, Rear flange, Front trunnion, Rear trunnion
Accessories	Clevis foot bracket, Trunnion bracket, Rod end fork, Rod end aligner

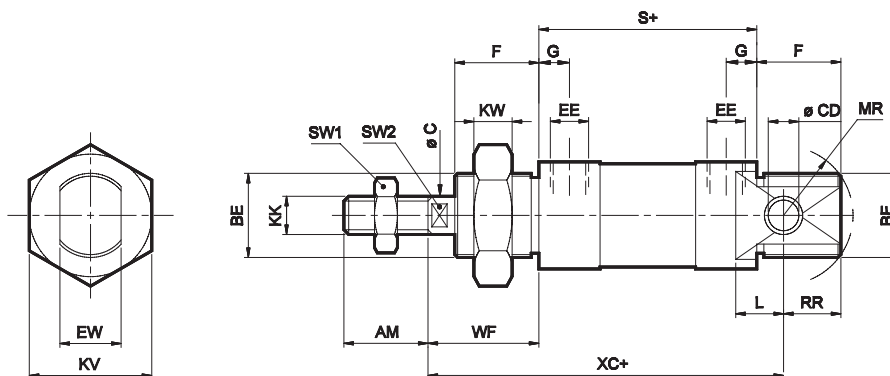
* For Non standard or longer stroke cylinders, contact your regional dealer or **JANATICS**

Output force (force in N : 1N = 0.1 kgf)

Cylinder bore Ø (in mm)	Rod Ø (in mm)		Working pressure in bar								
			2	3	4	5	6	7	8	9	10
25	10	Extend	88	132	176	220	264	308	352	396	440
		Retract	74	111	148	185	222	260	296	334	371

(Above values have been worked out taking frictional loss into consideration)

Basic cylinder



+ Add stroke

Cylinder bore Ø	MR	BE	F	CD H9	RR	L	G	EE	S	KW	C	SW1	SW2	KK	AM	WF ±1.2	XC ±1	EW d13	KV	Stroke tol	
																				10 - 100	Above 100
25	21	M22x1.5	22	8	17	12	8	G1/8	71±0.7	10	10	17	9	M10x1.25	22	28	104	16	32	+1.5 +0	+2.5 +0

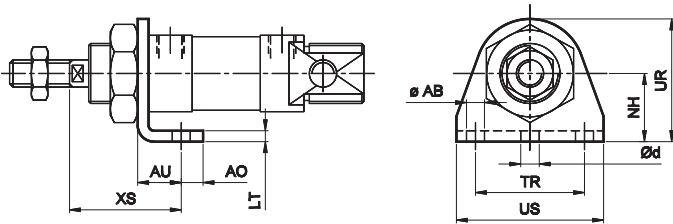
AIR CYLINDER

Series A50

Cat No A50 - 01 - 01 - A

MOUNTINGS FOR AIR CYLINDER Series A50

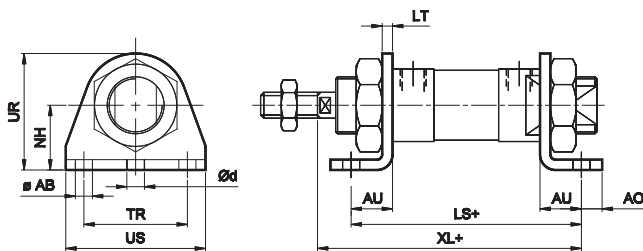
Front Foot Mounting



Cylinder bore \varnothing	LT	AU	AO	d*	XS ± 1.4	NH ± 0.3	TR Js14	US	AB H13	UR	Ordering no.
25	4	16	8	5.8	40	25	40	54	6.6	45	ML022

* Suitable for reaming

Double Foot Mounting

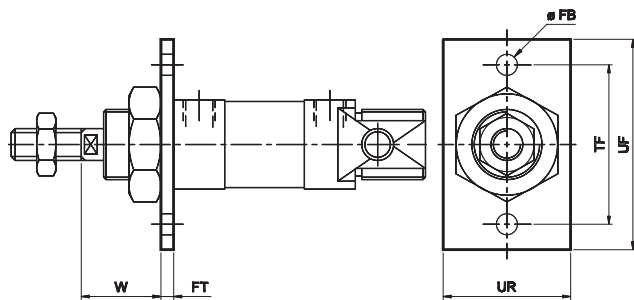


Cylinder bore \varnothing	UR	AB H13	TR Js14	NH ± 0.3	AO	AU	d*	LT	US	LS	XL ± 1	Ordering no.
25	45	6.6	40	25	8	16	5.8	4	54	103 ± 0.9	115	MS022

+ Add stroke

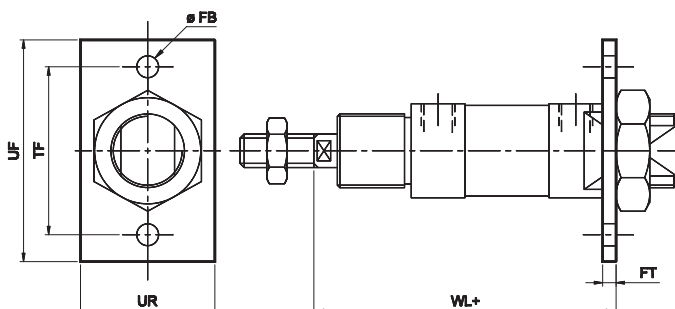
* Suitable for reaming

Front flange



Cylinder bore \varnothing	TF Js14	UF	UR	FB H13	FT	W ± 1.4	Ordering no.
25	50	66	40	6.6	5	23	MF022

Rear flange



Cylinder bore \varnothing	TF Js14	UF	UR	FB H13	FT	WL ± 1.2	Ordering no.
25	50	66	40	6.6	5	104	MF022

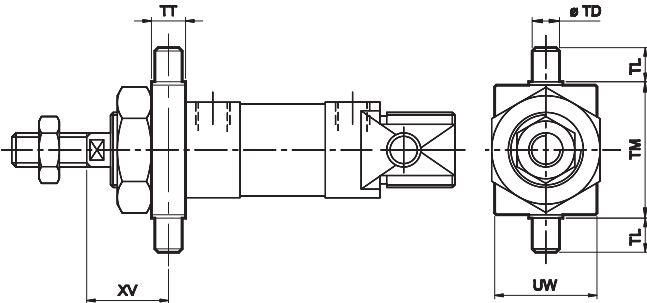
+ Add stroke

AIR CYLINDER

Series A50

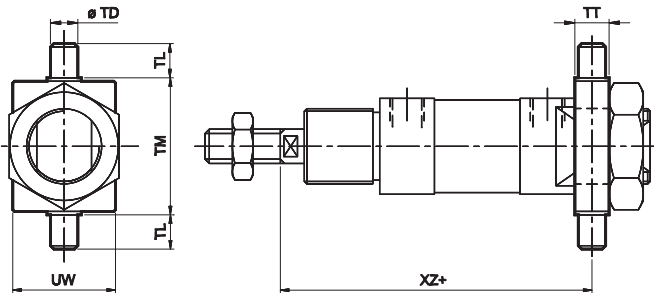
Cat No A50 - 01 - 01 - A

Front trunnion



Cylinder bore Ø	TM h14	UW	TD e9	TT	XV ±1,4	TL h14	Ordering no.
25	40	30	8	10	23	10	MT022

Rear trunnion



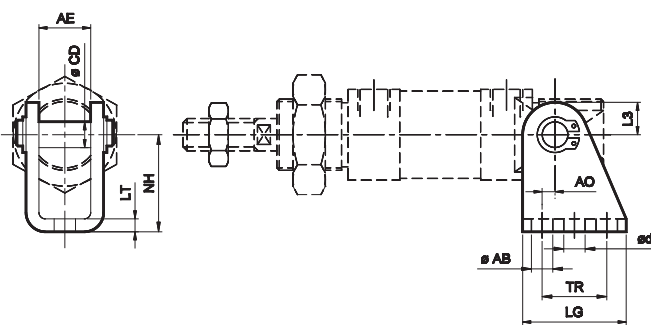
+ Add stroke

Cylinder bore Ø	TM h14	UW	TD e9	TT	XZ ±1,2	TL h14	Ordering no.
25	40	30	8	10	104	10	MT022

For trunnion brackets see " Accessories "

ACCESSORIES FOR AIR CYLINDER Series A50

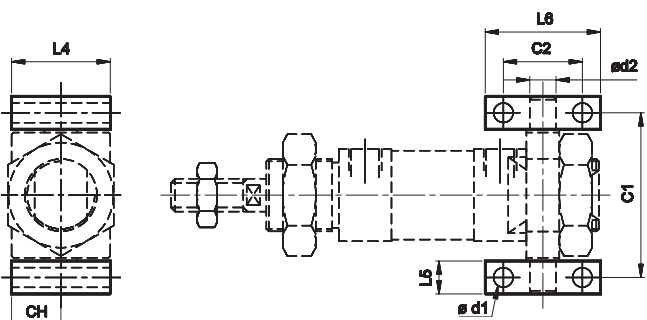
Clevis foot bracket (CETOP - RP 107 P)



Cylinder bore Ø	AE	AB H13	LT	NH	L3	CD e8	d*	TR Js14	LG	AO	Ordering no.
25	16,1	6,6	4	30	10	8	4,8	20	32	4	AA022

* Suitable for reaming

Trunnion bracket



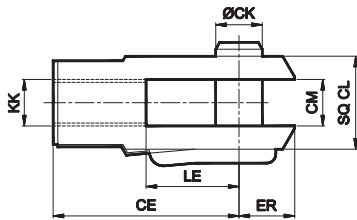
Cylinder bore Ø	C1	C2 Js14	d1 H13	L4	L5	L6	CH	d2 H9	Ordering no.
25	50	24	6.6	30	10	35	20	8	AT022

AIR CYLINDER

Series A50

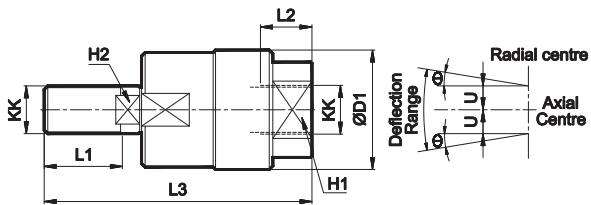
Cat No A50 - 01 - 01 - A

Rod end Fork (ISO 8140)



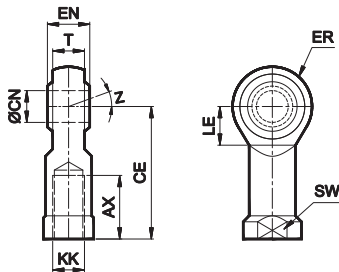
Cylinder bore Ø	KK	LE	CM B12	CE	CK f8	CL	ER	Ordering no.
25	M10X1.25	20	10	40	10	20	16	AF010

Rod end Aligner



Cylinder bore Ø	KK	L1	L2	L3	D1	H1	H2	±θ°	U	Ordering no.
25	M10X1.25	20	14	65	28	17	8	5	0.75	AR010

Rod end spherical eye



Cylinder bore Ø	KK	CN H9	T	EN h12	CE	LE min	ER max	AX	SW h13	Z	Ordering no.
25	M10X1.25	10	10.5	14	43	15	14	20	17	13°	AP010

AIR CYLINDER

Series A50

Cat No A50 - 01 - 01 - A

How to order

A		50		025		050		D	
Model		Bore Ø (mm)		Stroke (mm)		Mountings			
50	Standard cylinder	025	- Ø 25	010	- 10	O	- Basic	L	- Front Foot Mounting
				025	- 25	D	- Double Foot Mounting	F	- Front Flange
				040	- 40	R	- Rear Flange	M	- Front Trunnion
				050	- 50	N	- Rear Trunnion		
				080	- 80				
				100	- 100				
				125	- 125				
				160	- 160				
				200	- 200				
				250	- 250				
				300	- 300				

Example:

Ordering no. for standard cylinder with 25 dia bore, 50 mm stroke with Double foot mounting : **A50 025 050 D**



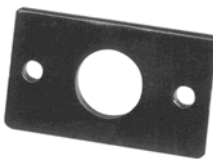
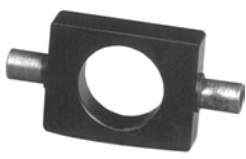
Note:

If ordered as 25 dia, 50 mm stroke cylinder, Basic cylinder **A50 025 050 O** will be supplied.

For repeat order when the details are taken from cylinder nameplate, mention the mounting style separately.

For ordering **Accessories**: mention part numbers in corresponding tables.

For ordering individual **Mounting** kits (If needed separately): mention the ordering numbers as below

Cylinder bore Ø	Front Foot mounting	Double Foot mounting	Flange (Front or Rear)	Trunnion (Front or Rear)
				
25	ML022	MS022	MF022	MT022

For your special requirements of cylinders or for further informations contact your regional dealer or **JANATICS**